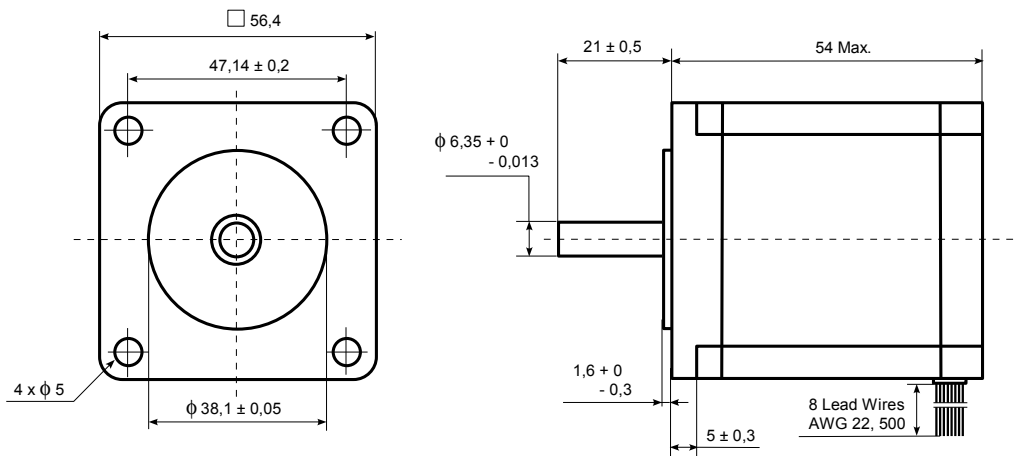


SX23-1414 Stepper Motor - Technical Parameters

SX Series - NEMA23 Frame						
Model	Holding Torque (2 phases on) (Nm)	Rated Current/Phase (A) series / parallel	Phase Inductance (mH) series / parallel	Phase Resistance (Ω) series / parallel	Rotor Inertia (kgm²x10⁻³)	Weight (kg)
SX23-1414	1,4	1,4 / 2,8	11,2 / 2,8	3,4 / 0,85	0,03	0,69

Full Step Angle 1,8°
 Angular Accuracy ± 0,1°
 Insulation NEMA Class B (130°C)

Dimensions (mm)



Installation Guide - Power Connections

Connection	Driver Connection	Lead Color
4-lead bipolar series	A	orange
	/A	black
	B	blue
	/B	white
4-lead bipolar parallel	none	red & brown
	none	yellow & green
	A	orange & brown
	/A	red & black
	B	blue & green
	/B	yellow & white

SX series motors are components intended exclusively for an industrial assembly operation for incorporation into other apparatus.
 SX series motors are sold as a stand-alone components for further production or integration.