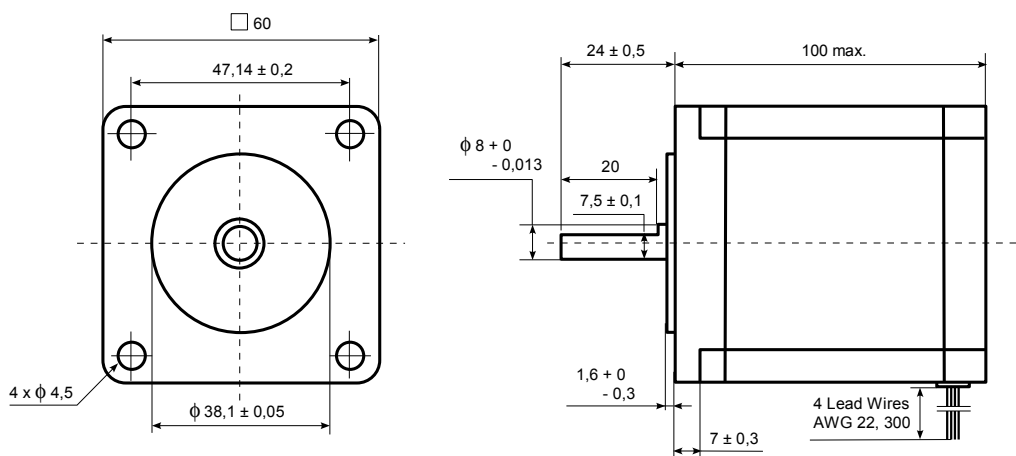


SX24-3341QF Stepper Motor - Technical Parameters

SX Series - NEMA24 Frame (60 x 60 mm, NEMA size 23 mounting)						
Model	Holding Torque (2 phases on) (Nm)	Rated Current/Phase (A) series / parallel	Phase Inductance (mH) series / parallel	Phase Resistance (Ω) series / parallel	Rotor Inertia (kgm ² x10 ⁻³)	Weight (kg)
SX24-3341QF	4,1	3,3 / -	5,8 / -	1,28 / -	0,12	1,63

Full Step Angle 1,8°
 Angular Accuracy ± 0,1°
 Insulation NEMA Class B (130°C)

Dimensions (mm)



Power Connection

Connection	Driver Connection	Lead Color
4-lead bipolar series	A	orange
	/A	black
	B	blue
	/B	white

SX series motors are components intended exclusively for an industrial assembly operation for incorporation into other apparatus.
 SX series motors are sold as a stand-alone components for further production or integration.